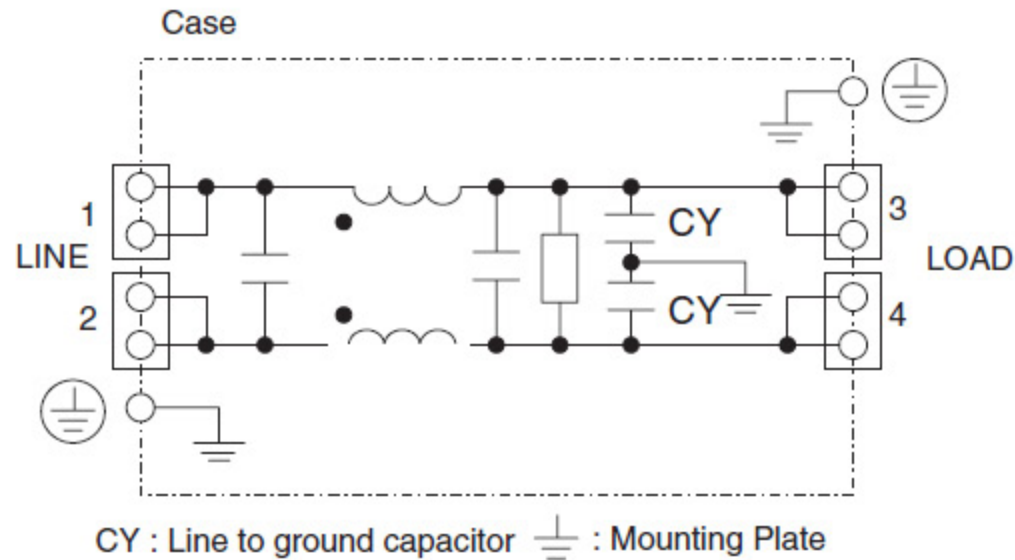


Circuit Diagram



Derating Curve

