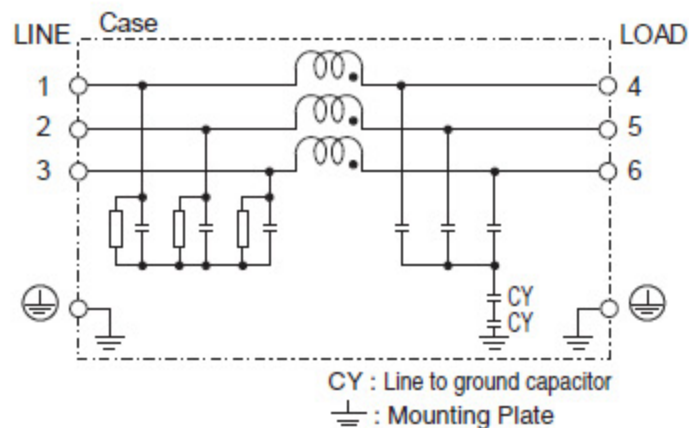
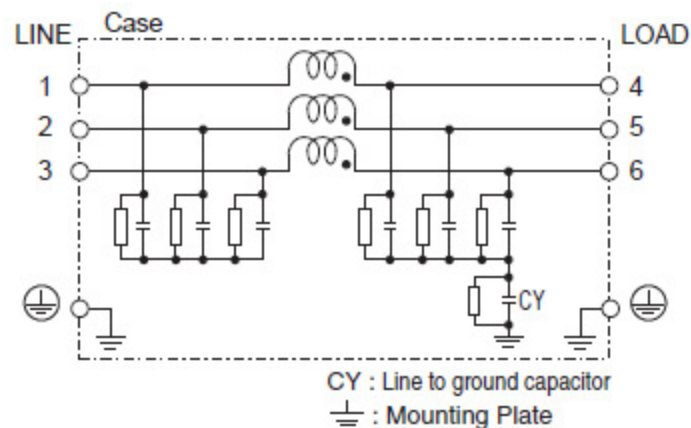


# Circuit Diagram

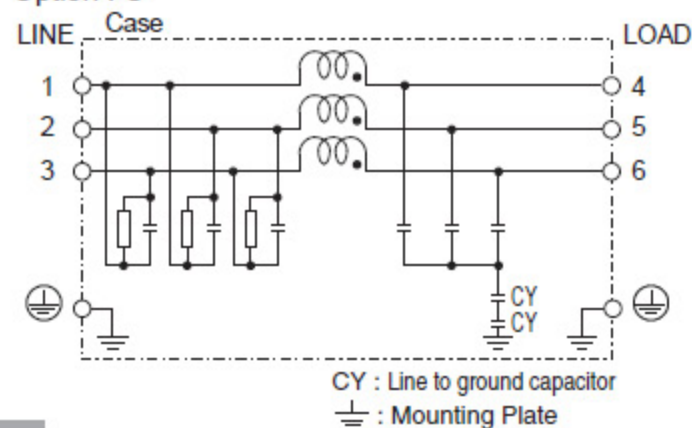
(1) Line to ground capacitor code : 223, 683, 104



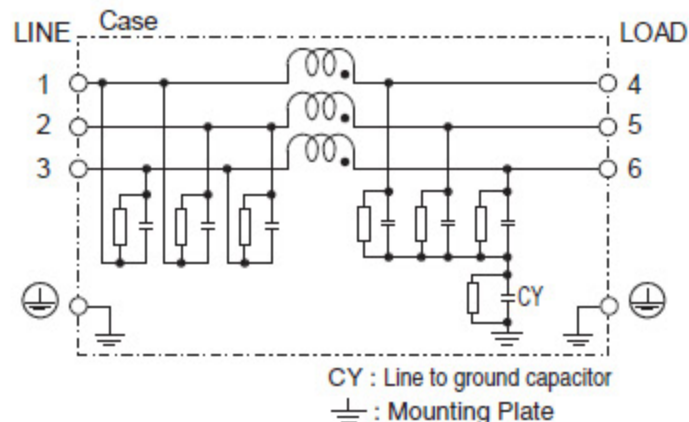
(2) Line to ground capacitor code : 335



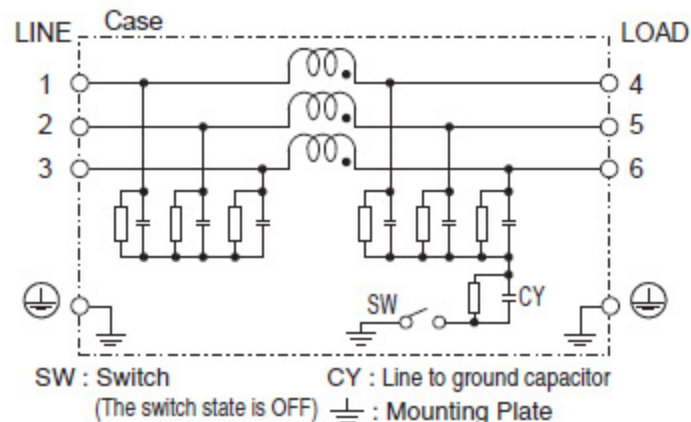
(3) Line to ground capacitor code : 223, 683, 104  
 Option : U



(4) FTA-□□-335-U



(5) FTA-□□-335-G



# Derating Curve

