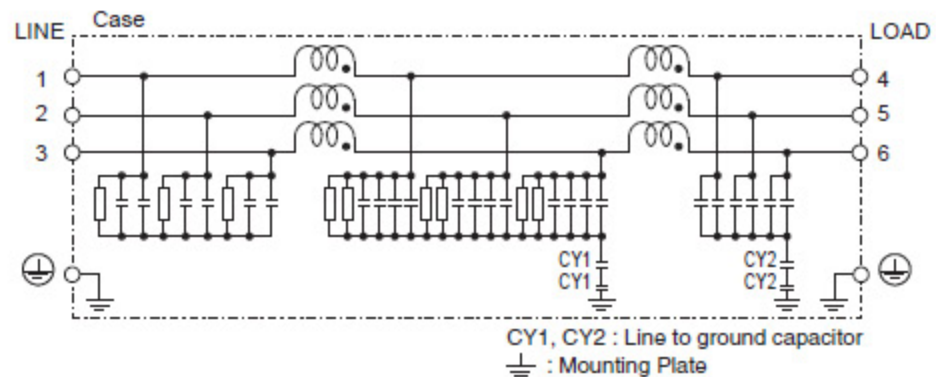
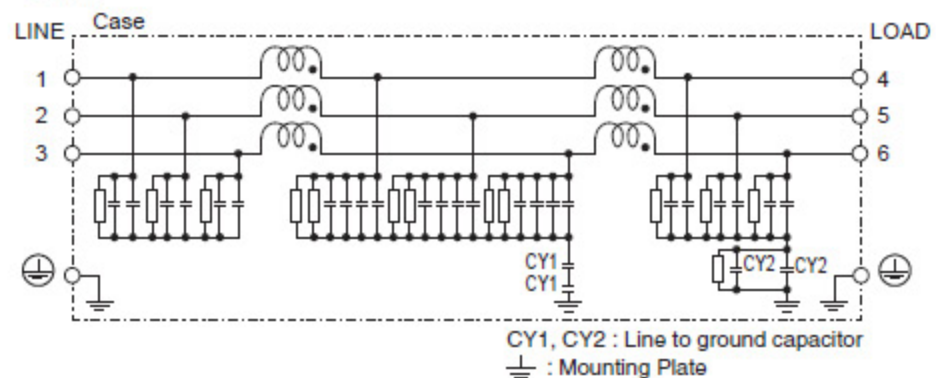


## Circuit Diagram

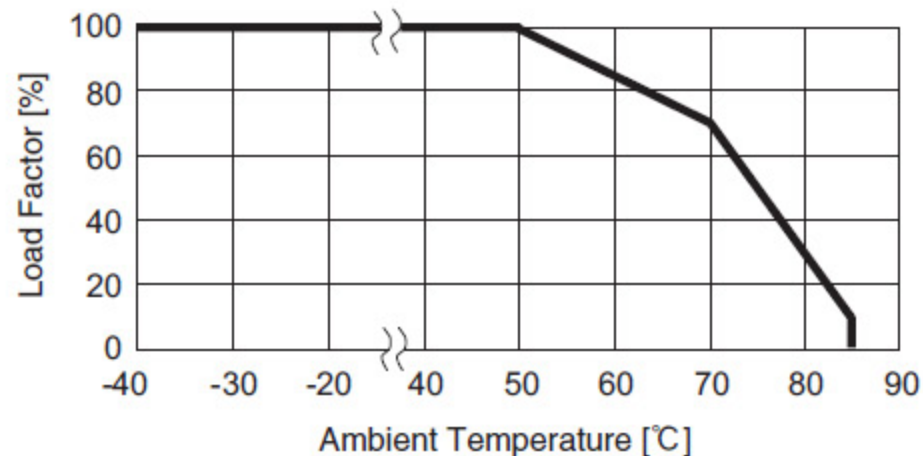
(1) Line to ground capacitor code : 203, 663, 324



(2) FTB-□ □-355-L



## Derating Curve



\*Keep free ventilation holes for cooling.