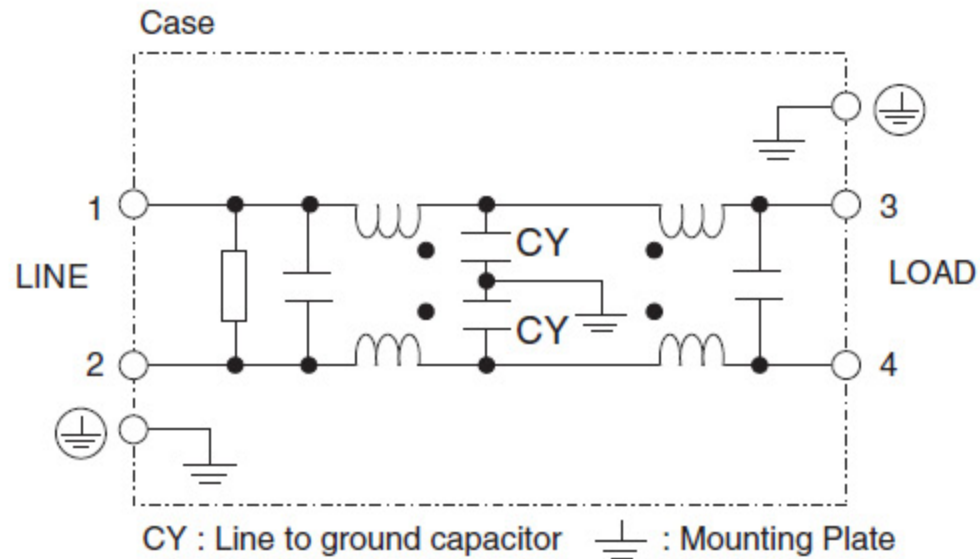


## Circuit Diagram



## Derating Curve

