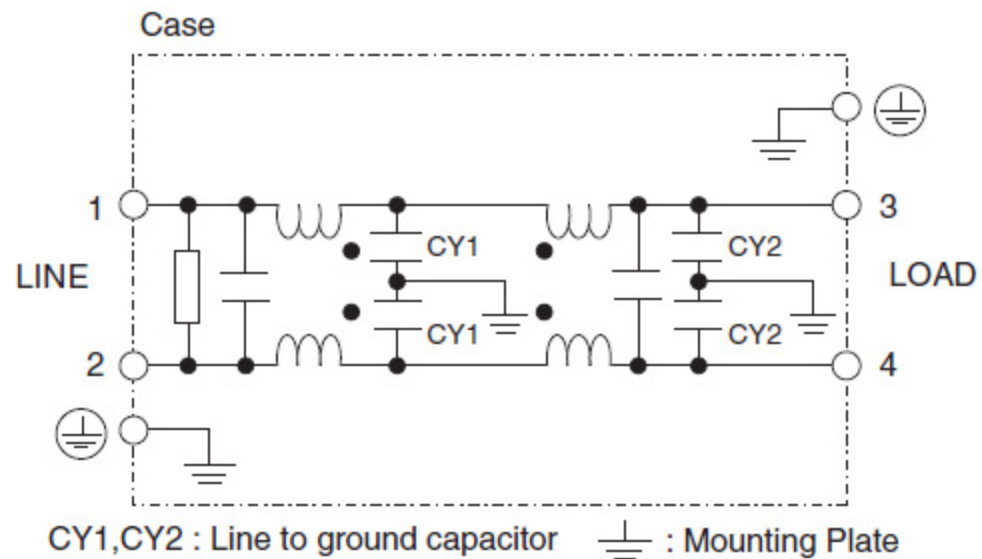
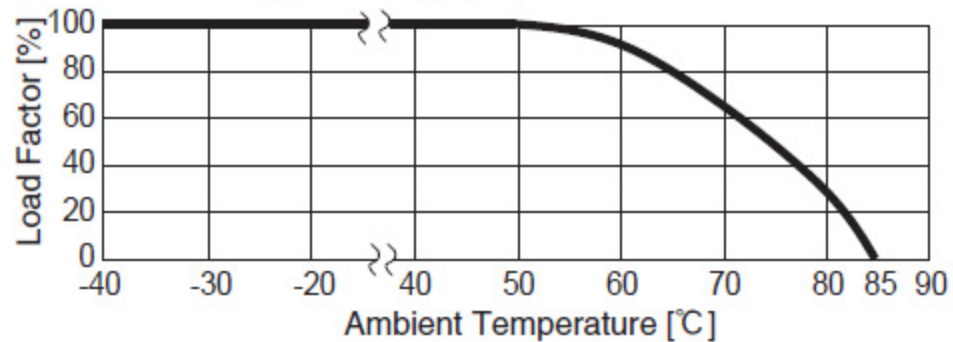


## Circuit Diagram



## Derating Curve

### Derating Curve (A) 6,10A



### Derating Curve (B) 16 to 30A

