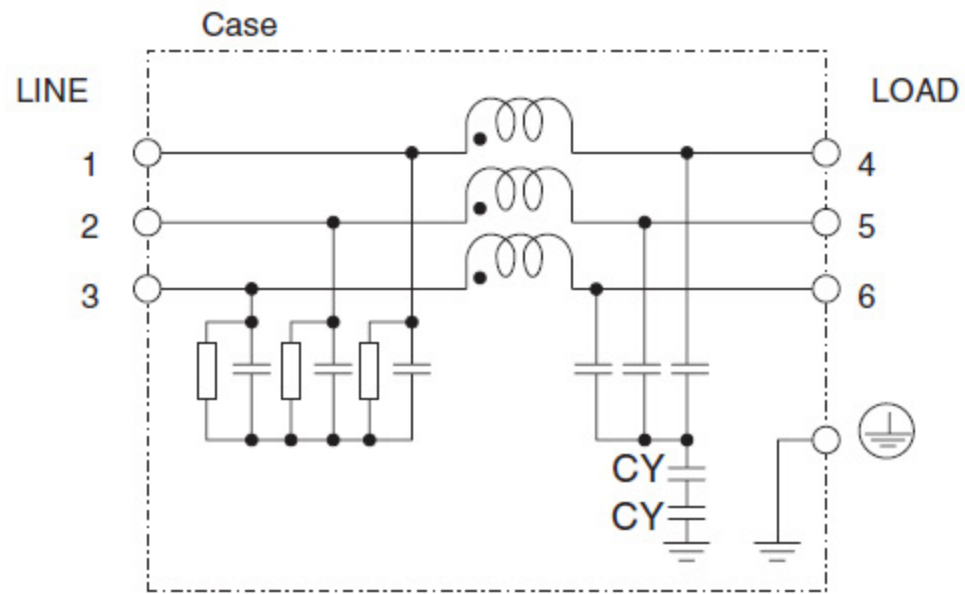


## Circuit Diagram



CY : Line to ground capacitor  : Mounting Plate

## Derating Curve

