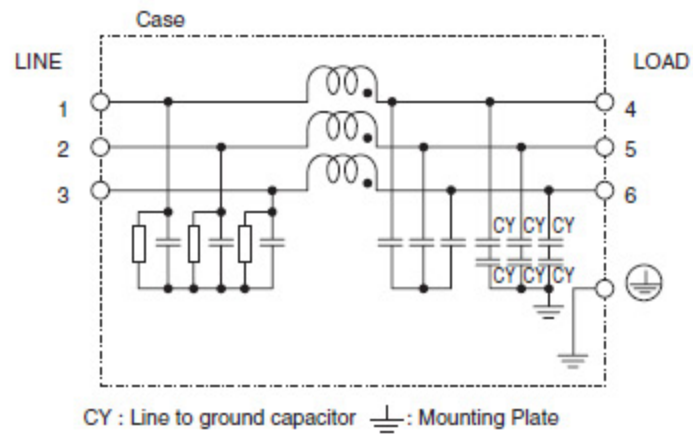
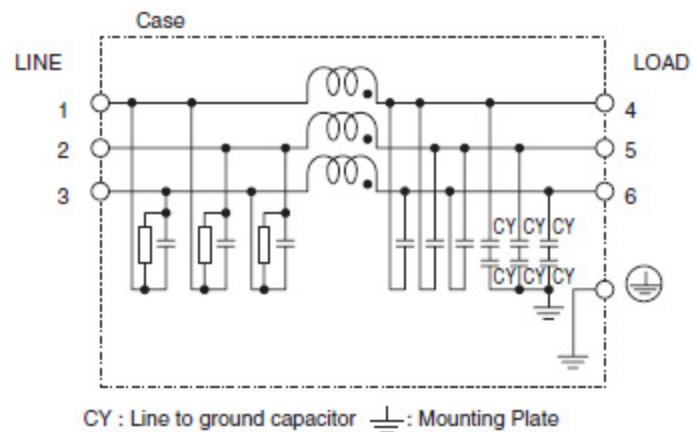


## Circuit Diagram

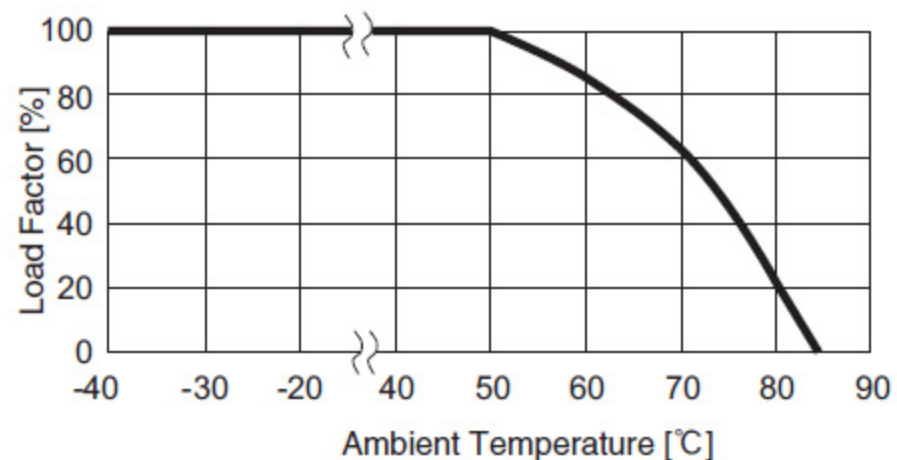
(1) TAC-□□□□-□□□□



(2) TAC-□□□□-□□□□-**U** (Option : U)



## Derating Curve



\*Keep free ventilation holes for cooling.