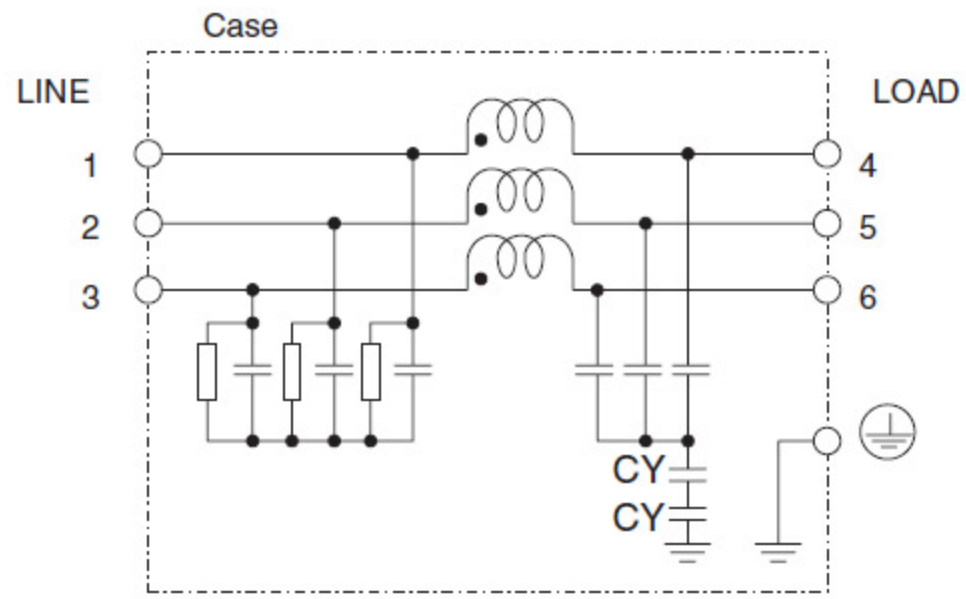



Circuit Diagram



CY : Line to ground capacitor  : Mounting Plate

Derating Curve

