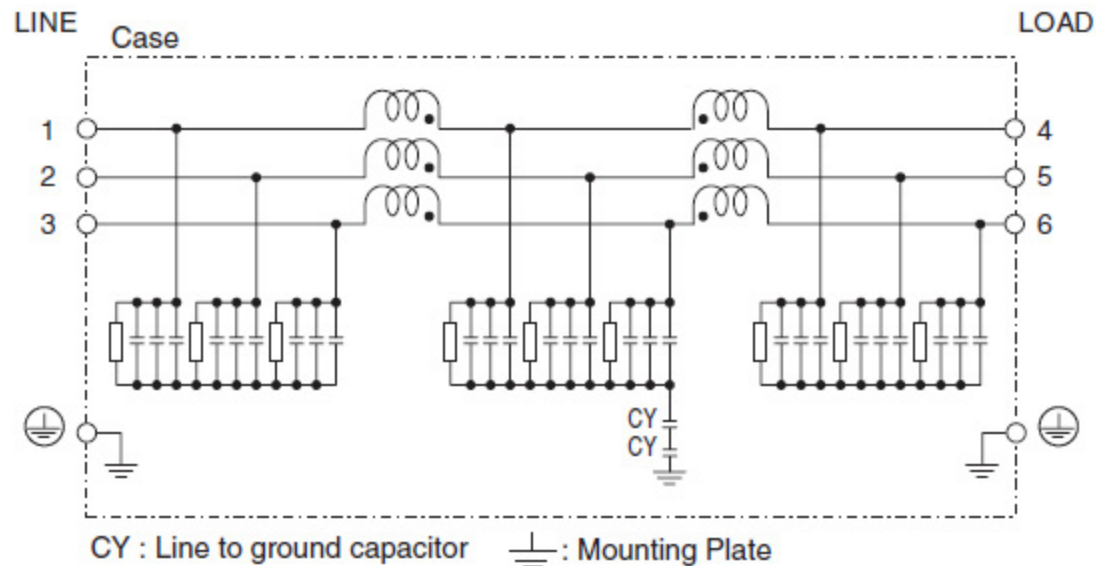
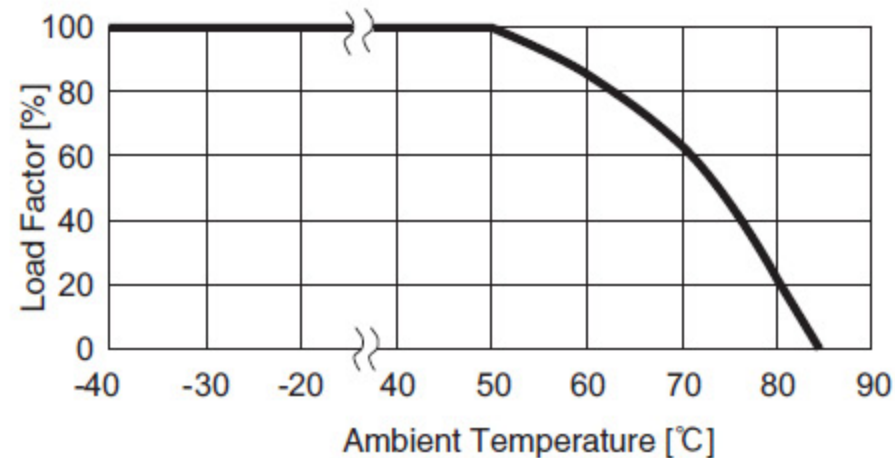


Circuit Diagram



Derating Curve



*Keep free ventilation holes for cooling.