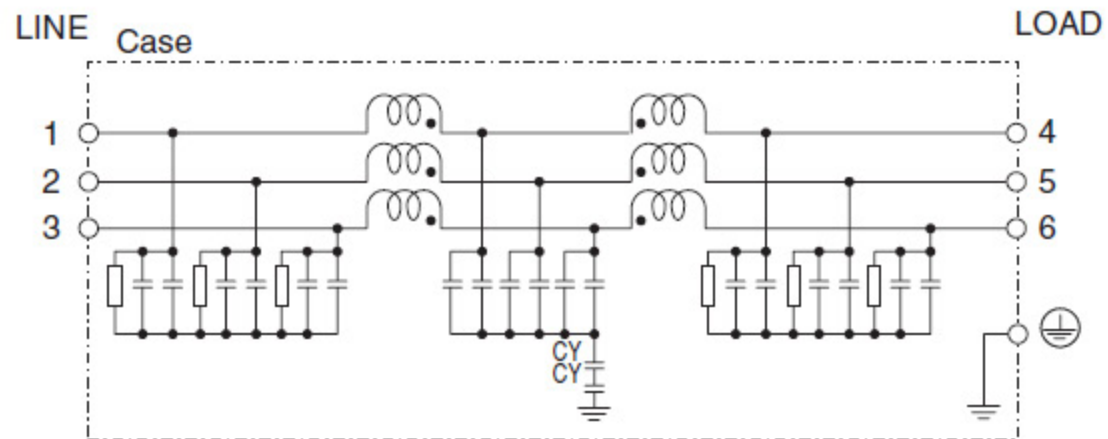
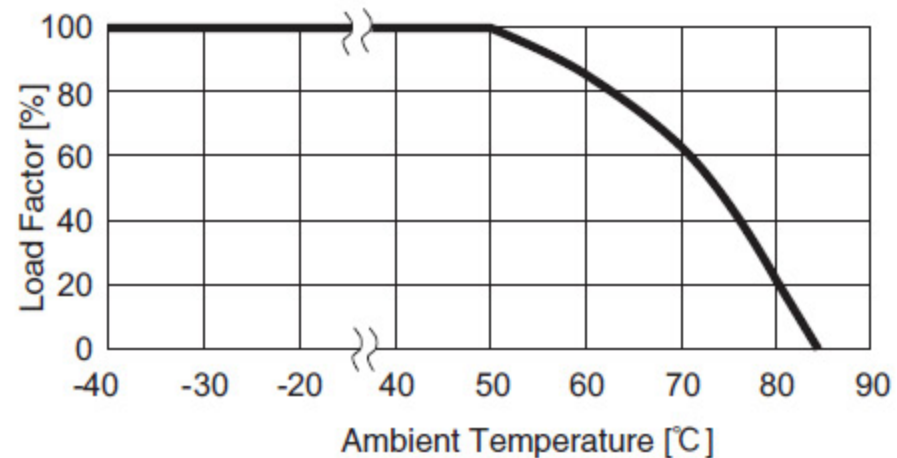


Circuit Diagram



CY : Line to ground capacitor \perp : Mounting Plate

Derating Curve



*Keep free ventilation holes for cooling.