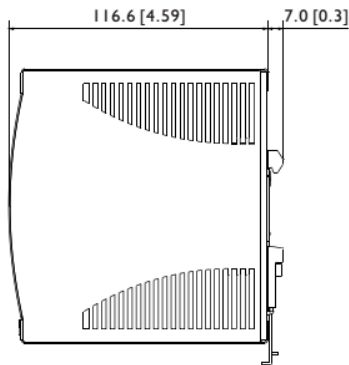
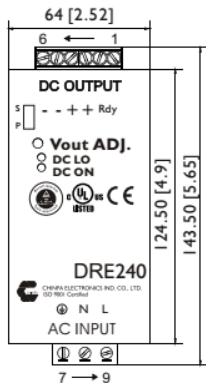
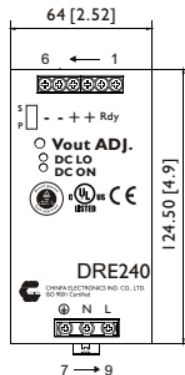


MECHANISM & PIN CONFIGURATION

mm [inch]



CONSTRUCTION

Easy snap-on mounting onto the DIN-Rail (TS35/7.5 or TS35/15), unit sits safely and firmly on the rail.

INSTALLATION

Ventilation / Cooling

Normal convection

All sides 25mm free space

For cooling recommended

Connector size range

Screw terminal:

AWG24-10 (0.2~4mm²) flexible / solid cable,

-Input connector can withstand torque at maximum 9 pound-inches.

-Output connector can withstand torque at maximum 5.5 pound-inches.

8 m/m stripping at cable end recommends

Detachable connector:

AWG24-12 (0.2~2.5mm²) flexible / solid cable,

-Input connector can withstand torque at maximum 4.5 pound-inches.

-Output connector can withstand torque at maximum 7 pound-inches.

4~5 m/m stripping at cable end recommends

Use copper conductors only, 60 / 75°C

GENERAL TOLERANCE

0.00[0.00] - 30.00[1.18]

±0.30[0.01]

30.00[1.18] - 120.00[4.72]

±0.50[0.02]