

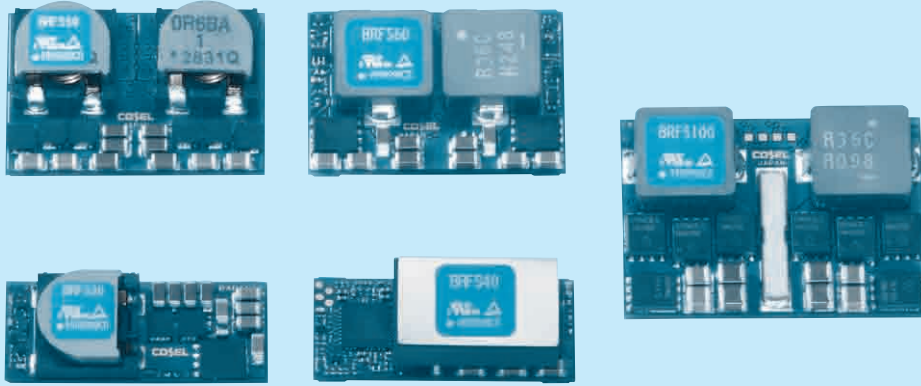
BRFS

BRF S 50 L -□

① ② ③ ④ ⑤



RoHS



- ① Series name
- ② Single output
- ③ Output current
30:30A
40:40A
50:50A
60:60A
100:100A
- ④ Type
Blank : Standard type
L : Low profile type (only 50A)
- ⑤ Optional
R : Positive logic remote on/off
I : POWERGOOD (only BRFS30/40)
*Other models has POWERGOOD function normally.
P : Parallel operation (only BRFS40)

BRFS

MODEL	BRFS30	BRFS40	BRFS50	BRFS50L	BRFS60	BRFS100
MAX OUTPUT CURRENT[A]	30.0	40.0	50.0	50.0	60.0	100.0
DC OUTPUT	0.8 - 3.63V	0.6 - 2.0V	0.7 - 2.0V	0.7 - 2.0V	0.7 - 2.0V	0.7 - 2.0V

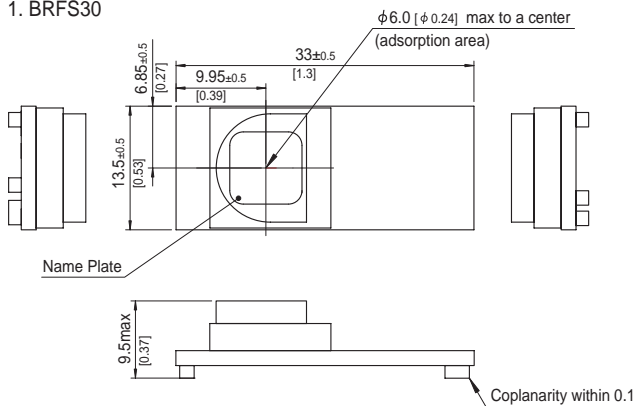
SPECIFICATIONS

	MODEL	BRFS30	BRFS40	BRFS50	BRFS50L	BRFS60	BRFS100
INPUT	VOLTAGE[V]	DC4.5 - 14.0					
	CURRENT[A]	*1 3.41 typ	4.52 typ	5.68 typ	5.68 typ	6.82 typ	11.24 typ
	EFFICIENCY[%]	*1 88 typ	88.5 typ	88 typ	88 typ	88 typ	88 typ
OUTPUT	VOLTAGE[V]	*2 0.8 - 3.63	0.6 - 2.0	0.7 - 2.0	0.7 - 2.0	0.7 - 2.0	0.7 - 2.0
	CURRENT[A]	30	40	50	50	60	100
	LINE REGULATION[mV]	5					
	LOAD REGULATION[mV]	5					
	RIPPLE[mVp-p]	*3 25					
	RIPPLE NOISE[mVp-p]	*3 50					
	OUTPUT VOLTAGE SETTING [%Vo]	±1					
	DRIFT[mV]	*4 5					
	START-UP TIME[ms]	8.0 typ					
	OUTPUT VOLTAGE ADJUSTMENT RANGE [V]	Adjustable by external resistor					
		0.8 - 3.63	0.6 - 2.0	0.7 - 2.0	0.7 - 2.0	0.7 - 2.0	0.7 - 2.0
	OUTPUT VOLTAGE TOTAL REGULATION [%Vo]*5	±3					
PROTECTION CIRCUIT AND OTHERS	OVERCURRENT PROTECTION	Works over 105% of rating (auto recovery type)					
	REMOTE SENSING	Available (+S only)		Available			
	REMOTE ON/OFF	Available Negative logic L:ON, H:OFF					
ISOLATION	INPUT-OUTPUT	non-isolated					
ENVIRONMENT	OPERATING TEMP., HUMID. AND ALTITUDE	-40 to +85°C, 20-95%RH (Non condensing) (Refer to DERATING CURVE) 3,000m (10,000feet) max					
	STORAGE TEMP., HUMID. AND ALTITUDE	-40 to +100°C, 20-95%RH (Non condensing), 9,000m (30,000feet) max					
	VIBRATION	10-55Hz, 49.0m/s ² (5G), 3minutes period, 60minutes each along X, Y and Z axis					
	IMPACT	196.1m/s ² (20G), 11ms, once each along X, Y and Z axis					
SAFETY	AGENCY APPROVALS	UL60950-1, C-UL (CSA60950-1), EN60950					
OTHERS	CASE SIZE/WEIGHT	33.0×9.5×13.5mm [1.3×0.37×0.53 inches] (W×H×D) / 10g max	33.0×10.9×13.5mm [1.3×0.43×0.9 inches] (W×H×D) / 12g max	33.0×9.5×22.9mm [1.3×0.37×0.9 inches] (W×H×D) / 15g max	33.0×7.0×22.9mm [1.3×0.28×0.9 inches] (W×H×D) / 12g max	33.0×8.0×22.9mm [1.3×0.31×0.9 inches] (W×H×D) / 15g max	38.0×8.5×27.7mm [1.5×0.33×1.09 inches] (W×H×D) / 22g max
	COOLING METHOD	Convection / Forced air					

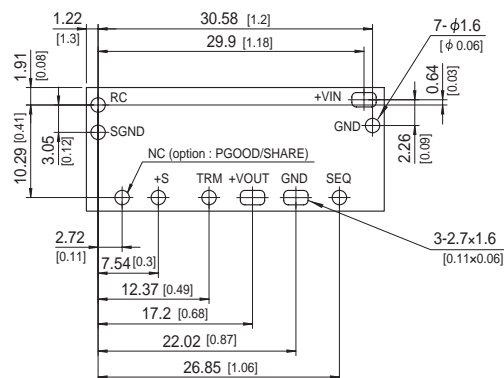
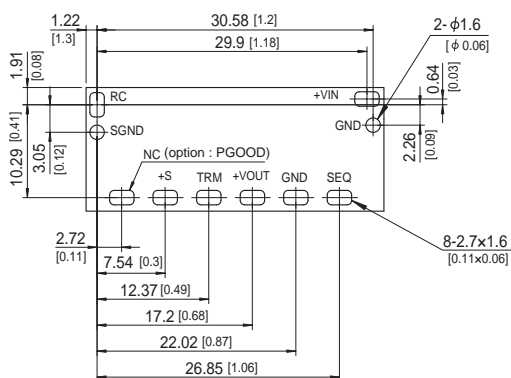
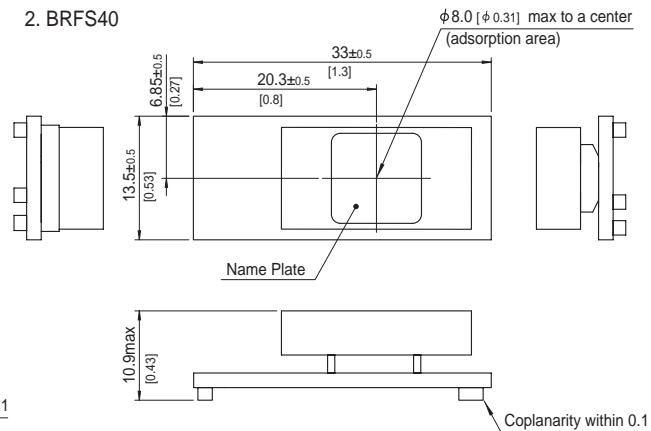
*1 AT rated input (DC12V) and rated output (1.2V) Ta=25°C.
 *2 Output voltage is adjusted to the minimum when TRM is opened.
 *3 Ripple and ripple noise is measured by using measuring board with ceramic capacitor at 50mm from output pin.
 *4 Drift is the change in DC output for an eight hour period after a half - hour warm - up at 25°C, with the input voltage held.
 *5 Output voltage setting is added line regulation and load regulation and temperature regulation used resistance of the 0.5% tolerance.

External view

1. BRFS30

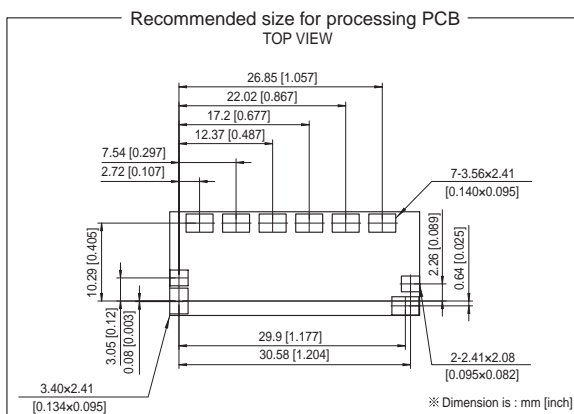


2. BRFS40



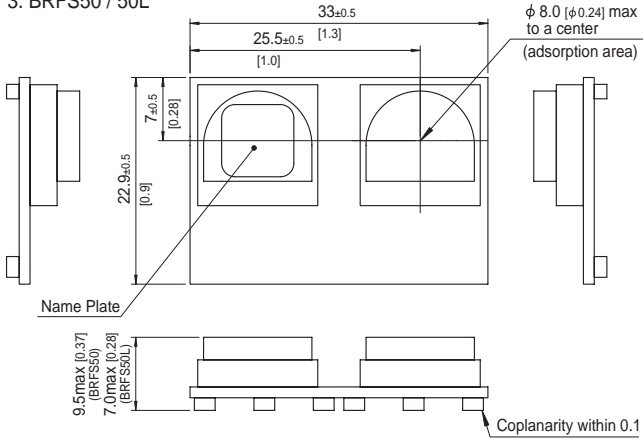
- ※ Tolerance : ± 0.3 [± 0.012]
- ※ Dimensions in mm, []=inches
- ※ Weight : 10g max
- ※ Terminal material : copper
- ※ Plating treatment of terminal : Lead free plating

- ※ Tolerance : ± 0.3 [± 0.012]
- ※ Dimensions in mm, []=inches
- ※ Weight : 12g max
- ※ Terminal material : copper
- ※ Plating treatment of terminal : Lead free plating

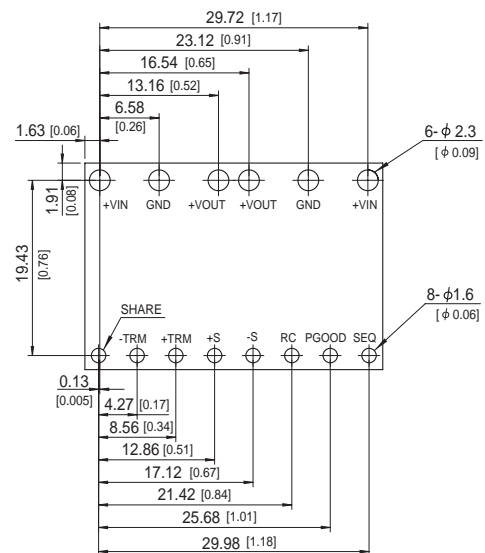
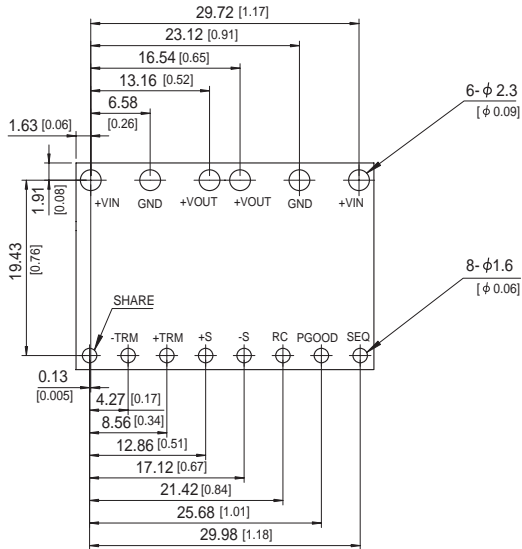
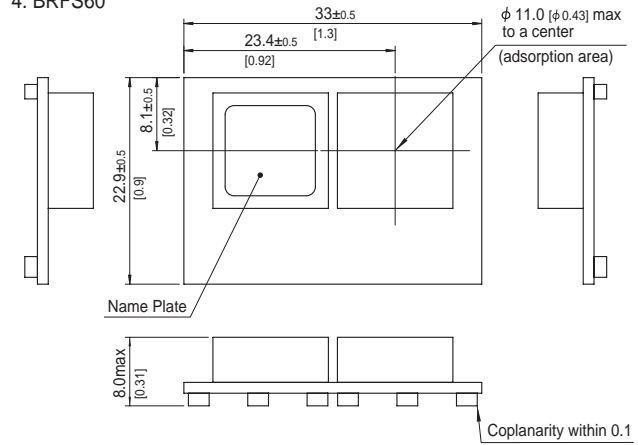


External view

3. BRFS50 / 50L

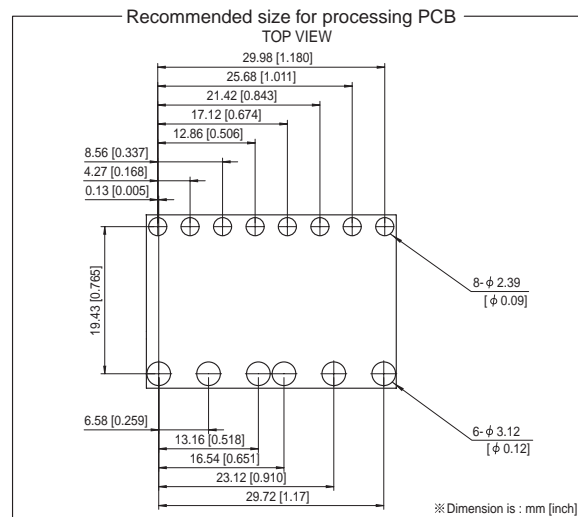


4. BRFS60



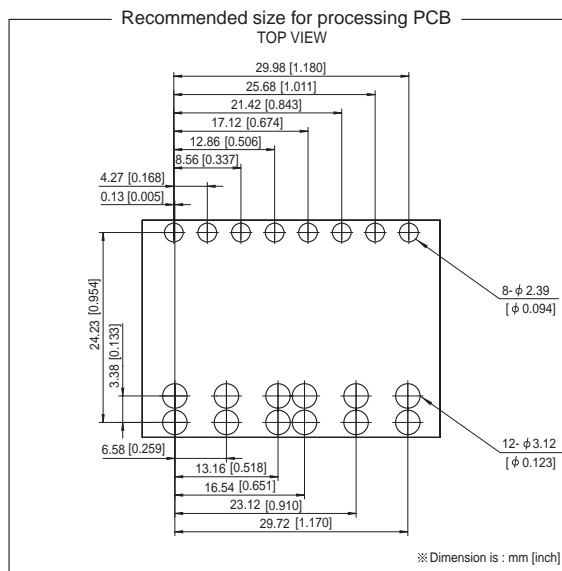
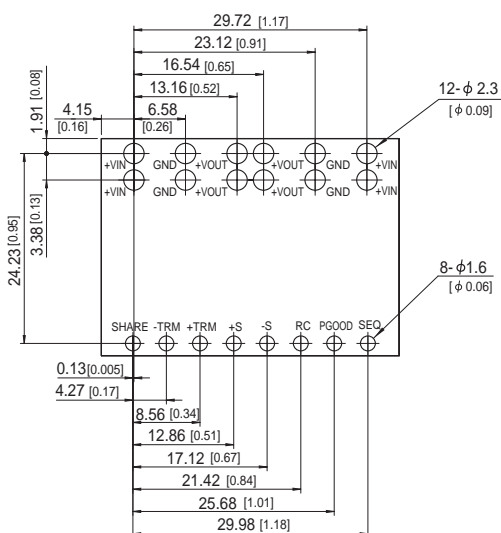
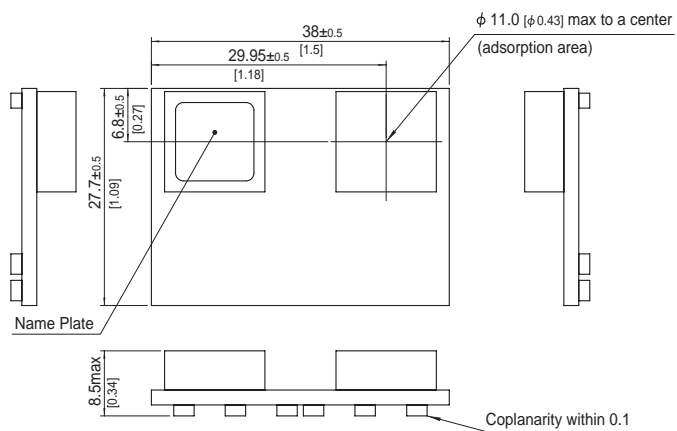
- ※ Tolerance : ± 0.3 [± 0.012]
- ※ Dimensions in mm, []=inches
- ※ Weight : 15g max (BRFS50)
12g max (BRFS50L)
- ※ Terminal material : copper
- ※ Plating treatment of terminal : Lead free plating

- ※ Tolerance : ± 0.3 [± 0.012]
- ※ Dimensions in mm, []=inches
- ※ Weight : 15g max
- ※ Terminal material : copper
- ※ Plating treatment of terminal : Lead free plating



External view

5. BRFS100



- ※ Tolerance : ±0.3 [±0.012]
- ※ Dimensions in mm, []=inches
- ※ Weight : 22g max
- ※ Terminal material : copper
- ※ Plating treatment of terminal : Lead free plating